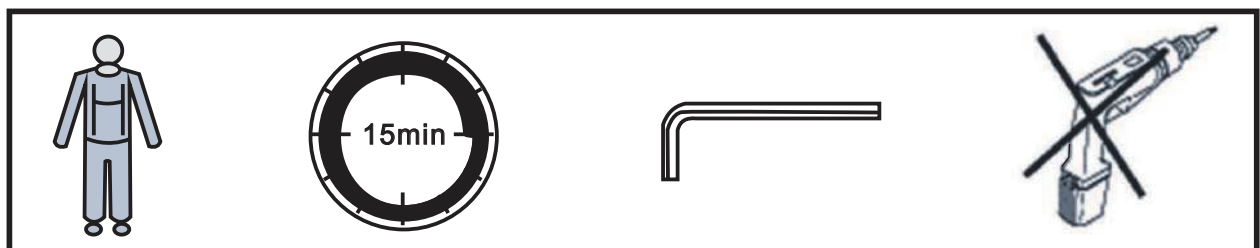
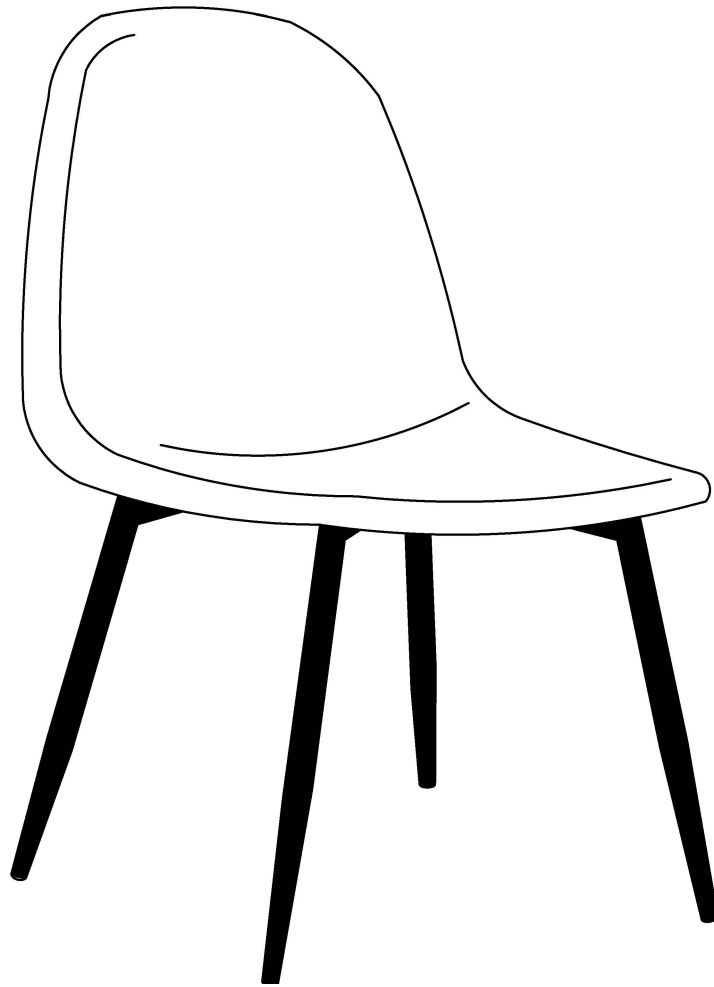
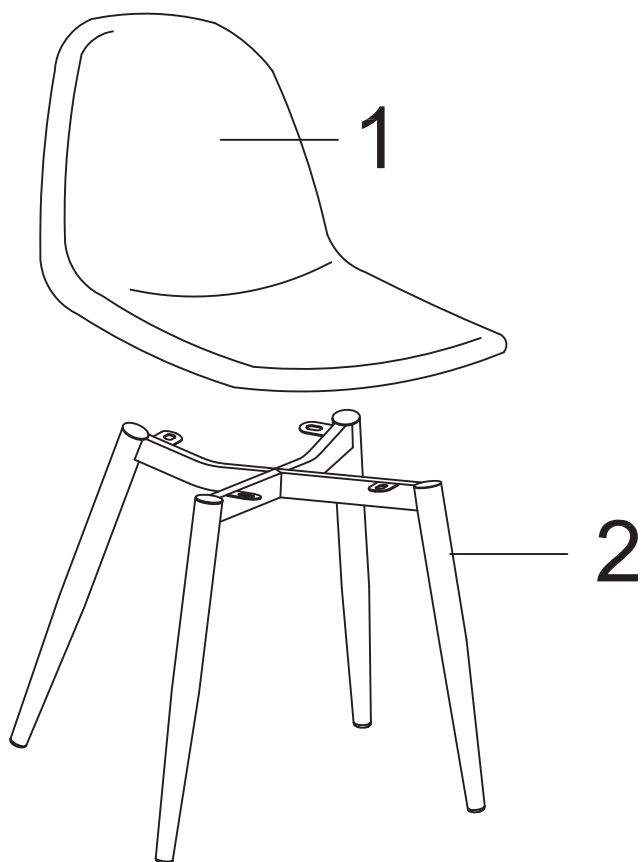


# WILMA | DINING CHAIR ASSEMBLY GUIDE



# WILMA | DINING CHAIR ASSEMBLY GUIDE



1(X1)



2(X1)

M6\*16

A(X4)



Ø6

B(X4)

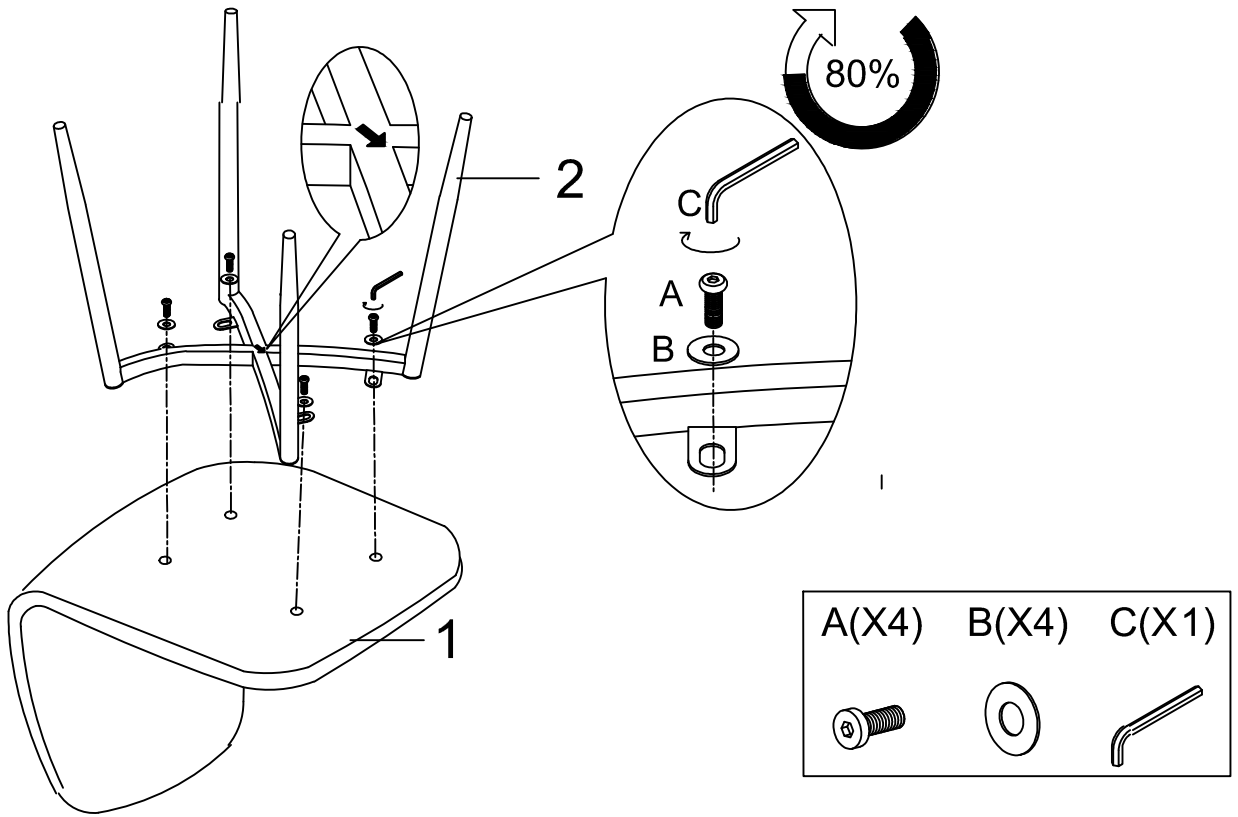


C(X1)



# WILMA | DINING CHAIR ASSEMBLY GUIDE

1



2

